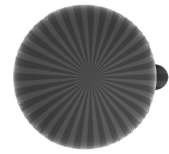
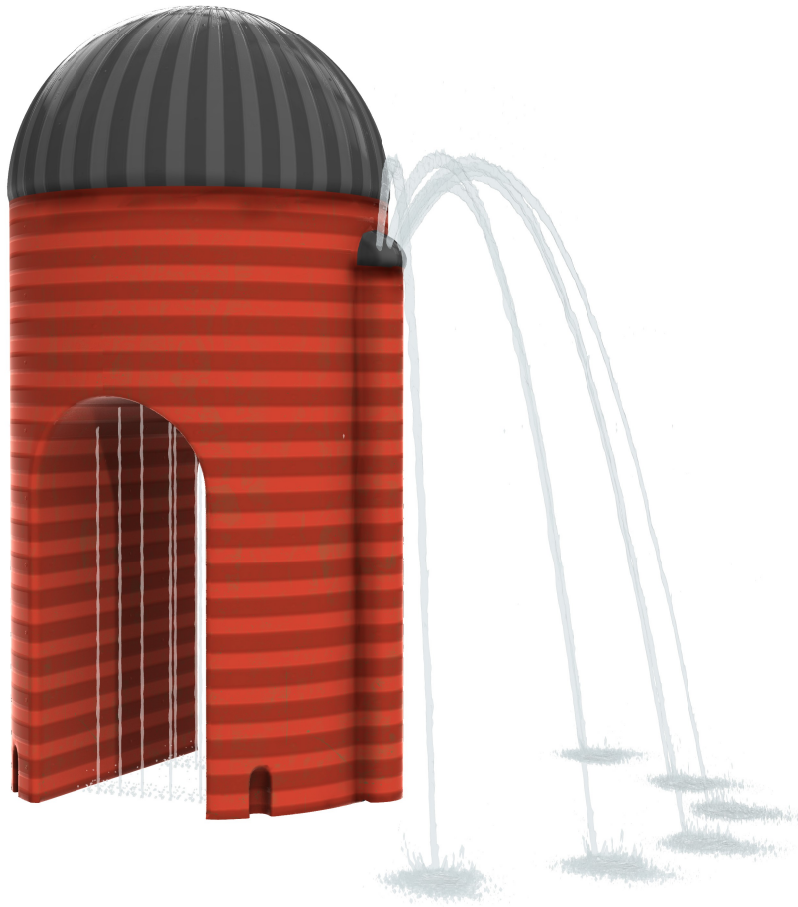


FunForms™ Aqua Sprayers

THEMED CREATIONS WITH COOL SPRAY EFFECTS



WATER ODYSSEY™
BY FOUNTAIN PEOPLE
A PLAYCORE Company



Silo

Note: Final product may vary from rendering.

Activity

This agriculture-themed spray feature produces arching streams of water and emits a cooling rain curtain of water as children pass through.

Model: F2136



18 GPM at 5 PSI (68 LPM at 0.34 BAR)

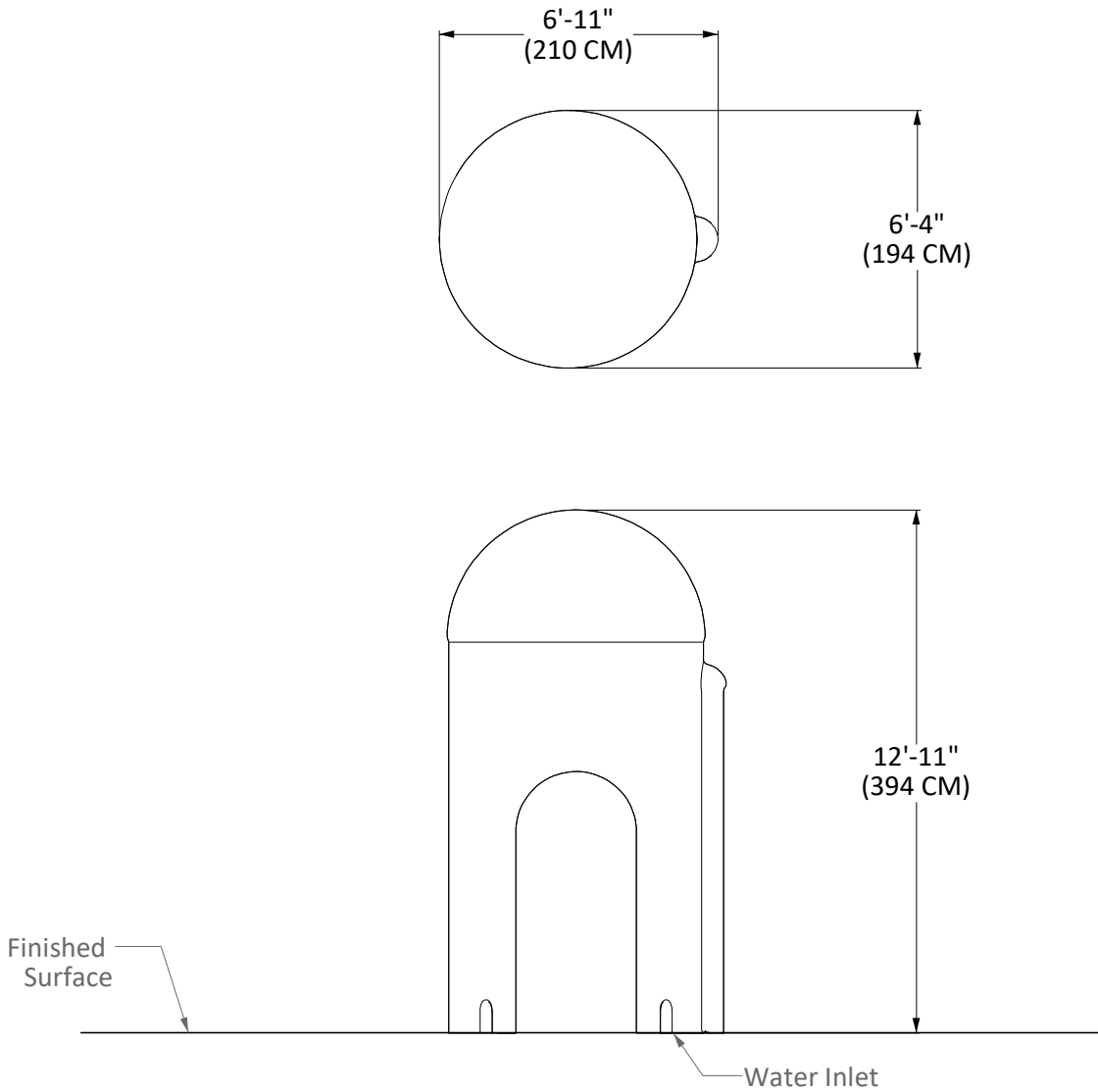


6'-11" / 6'-4" / 12'-11"
(211 / 193 / 394 CM)

Features & Benefits

- Can enhance your facility's theme.
- Coated with Aqua Armor - the most durable Chlorine UV and vandal resistant coating in the industry.
- Interchangeable with other Fun Forms™ spray features.
- ASTM compliant.

CREATING COMPELLING AQUATIC PLAY EXPERIENCES
512.392.1155 | www.waterodyssey.com



Specifications

Model Number: F2136

Age Group: Designated for ages 5 - 12

Construction: Hard foam core with Aqua Armor™ (structural elastomeric polymer outer shell)

Anchors: 1/2"-13 stainless steel epoxy anchors (Supplied)

Fasteners: 1/2"-13 Tamper-resistant stainless steel (Supplied)

Spacers: As required, must be non-ferrous (By Installer)

Supply Line: 2" with Sch 80 PVC or Brass coupling connection. (By Installer).

Hydraulic Requirements: 18 GPM at 5 PSI (68 LPM at 0.34 BAR)

Dimensions: L / W / H: 6'-11" / 6'-4" / 12'-11" (211 / 193 / 394 CM)

Note: Refer to "Installation Detail" for additional installation procedure.



Silo

FunForms™ Aqua Sprayers

Fountain People, Inc. ~ PO Box 807 ~ 4600 Highway 123 ~ San Marcos, Texas 78667-0807
Phone (512) 392-1155 ~ Fax (512) 392-1154 ~ www.waterodyssey.com