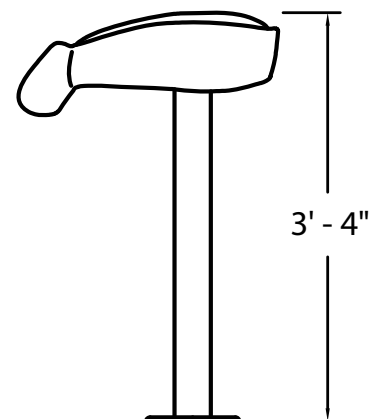


WATER ODYSSEY™
 BY FOUNTAIN PEOPLE, INC.
 POST OFFICE BOX 807
 SAN MARCOS, TX 78667-0807
 (512) 392-1155
 www.waterodyssey.com

G2 Shooter™ W283

Activity: The G2 Shooter™ succeeds our popular Gravity Shooter™. This unit has all of its predecessor's features and is available with a hidden wireless activator for virtually instantaneous on/off operation. The operating range (spray width) of these units can be pre-set at the factory from 45 to 360 degrees. Vertical adjustability is 45 degrees.

Options: Integral Wireless Activator. Add Catalog Number suffix **-SW**
 Water conserving cluster nozzle. Add Catalog Number suffix **-C**



Throw - ft					Throw - m				
@ 45°	GPM	CGPM*	psi	Cpsi*	@ 45°	LPM	CLPM*	bar	Cbar*
20	20	12	23	16	6.10	76	45	1.59	1.10